

Feasibility Analyses and Tool Development at WAFIOS Umformtechnik



Tool-Engineering

Feasibility Analyses and Tool Development at WAFIOS Umformtechnik

Our name has been synonymous with high-quality cold formers for over 100 years. But we are also your partner for tool development and feasibility studies and are here to support you.

We are happy to share with you our knowledge and the know-how we have gained through decades of experience.

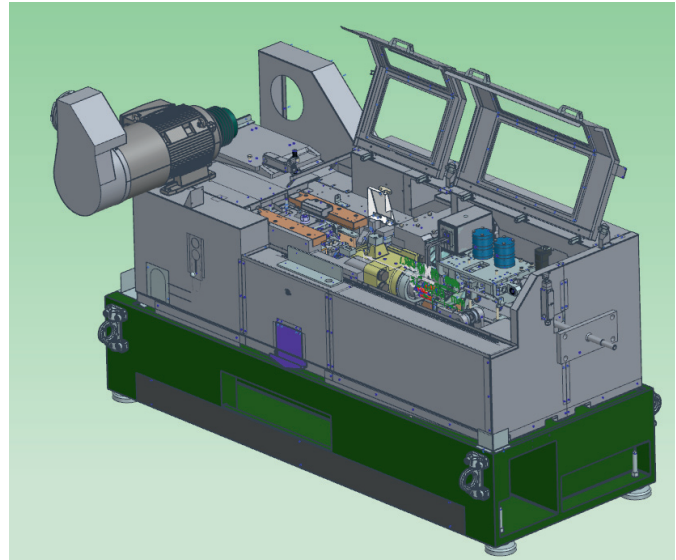
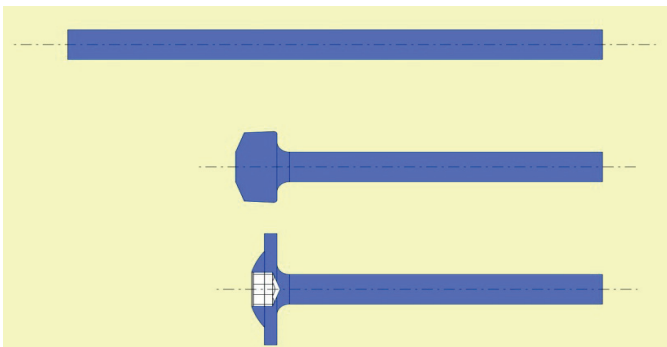
CAD System and Tool Database

With Siemens NX or Teamcenter we can carry out complex designs and simulate machine movements. Of course, we can also provide you with the design as STEP, IGES or similar.

CACH DB

Using this system we can simplify the visualisation of stage progress. Volume, compression, reduction and cup ratios as well as the approximate pressing force can also be calculated. This is particularly helpful for a preliminary machine selection.

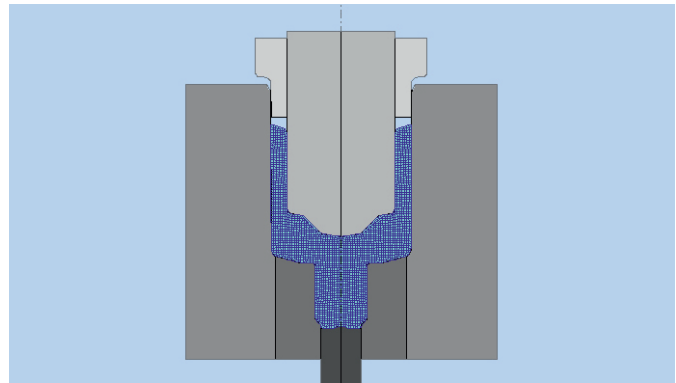
We also simulate your transport and feeding of the pressed parts in order to determine the ideal gripper dimensions. The tools are drawn in simplified form for this purpose.



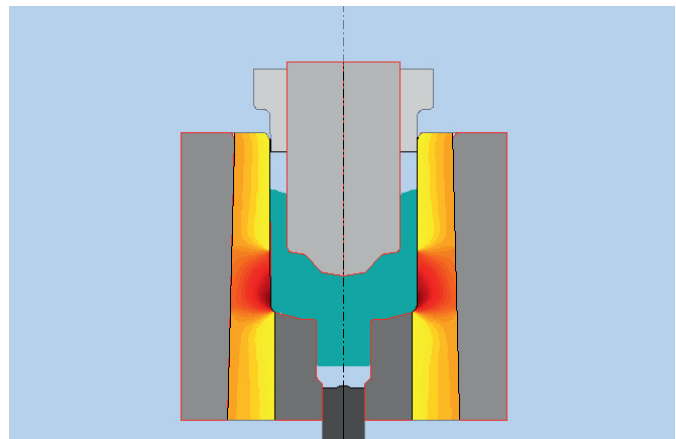
easy-form 2D

Using easy-form, we analyse your material flow precisely in order to detect any wrinkles or other defects at an early stage. This makes sense, especially with complex products, and should always be carried out in advance.

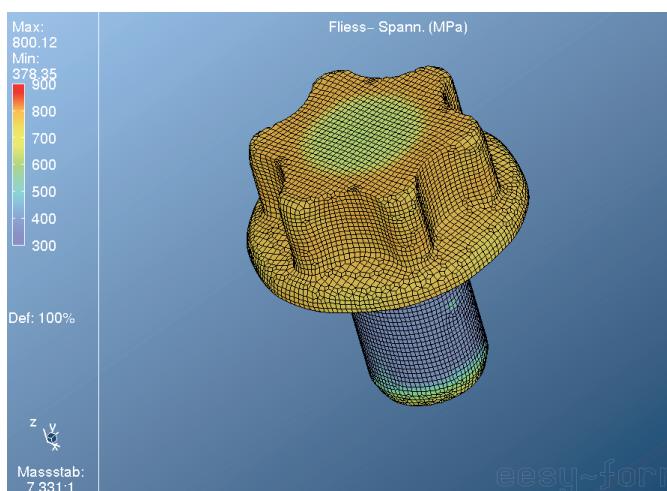
At the same time, we analyse the different tensions and forces – both on the product and on the tool.



Forces acting on the tool



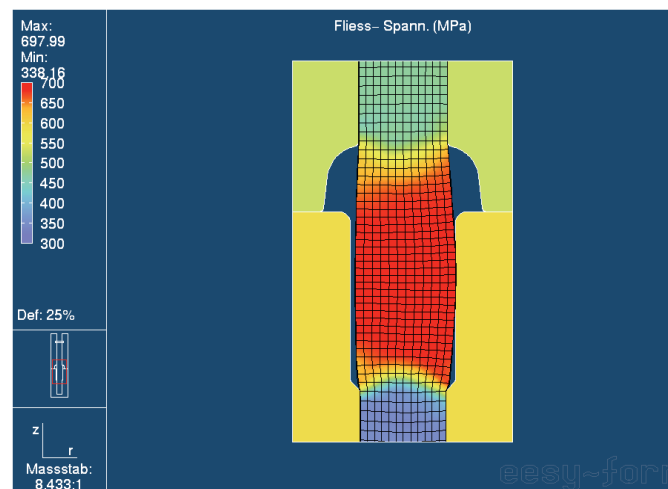
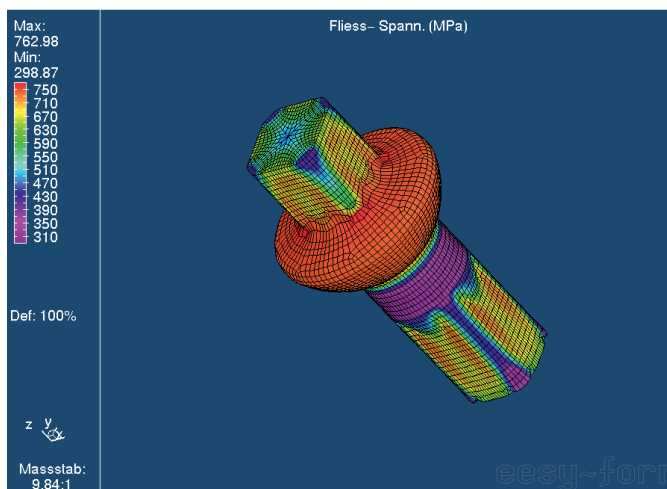
Feasibility Analyses and Tool Development at WAFIOS Umformtechnik



eesy-form 3D

This system enables us to reproduce even the most unusual contours and geometries for you.

Using a 360°-degree simulation, we can also recognise buckling in the material if the compression ratio is too high or the tool is not ideally designed.

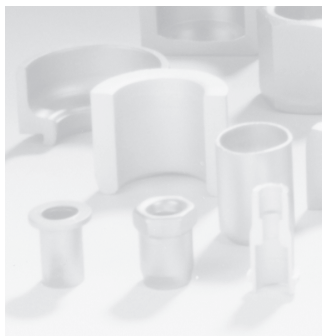


Summary

We are well equipped and networked to support and assist you – whether for our own machines or those of other suppliers. On request, we can supply you with the finished design and accompany the commissioning on your premises



Hilgeland
Kieserling
EWMenn
Nutap



WAFIOS
Umformtechnik GmbH

Precision Parts
Forming Machinery

Made in Germany

Im Rehsiepen 35, D-42369 Wuppertal
Phone +49 (202) 46 68-0
Fax +49 (202) 46 68-225

sales@wafios-umformtechnik.de
www.wafios-umformtechnik.com
Germany

The specifications are not binding as
these could vary on account of technical
developments.

07.2024